



ARP-5515AX-E01-006-C1D2

UL C1D2 and NEMA 4X Waterproof Web Client Panel PC with 15-inch Touch Screen



Features

- 15" LCD, 1024 x 768 Resolution
- 5-Wire Resistive Touch
- Stainless Steel Enclosure
- Meets NEMA 4X requirements
- Intel Celeron J1900 @ 1.99GHz / Atom E3845 @ 1.91GHz CPU
- 4GB DDR3 SO-DIMM
- Gigabit Ethernet
- 2x USB 2.0 ports
- Optional UL Class 1 Division 2 of Hazardous Area Approved Configuration can Prevent Combustible Dust Explosion

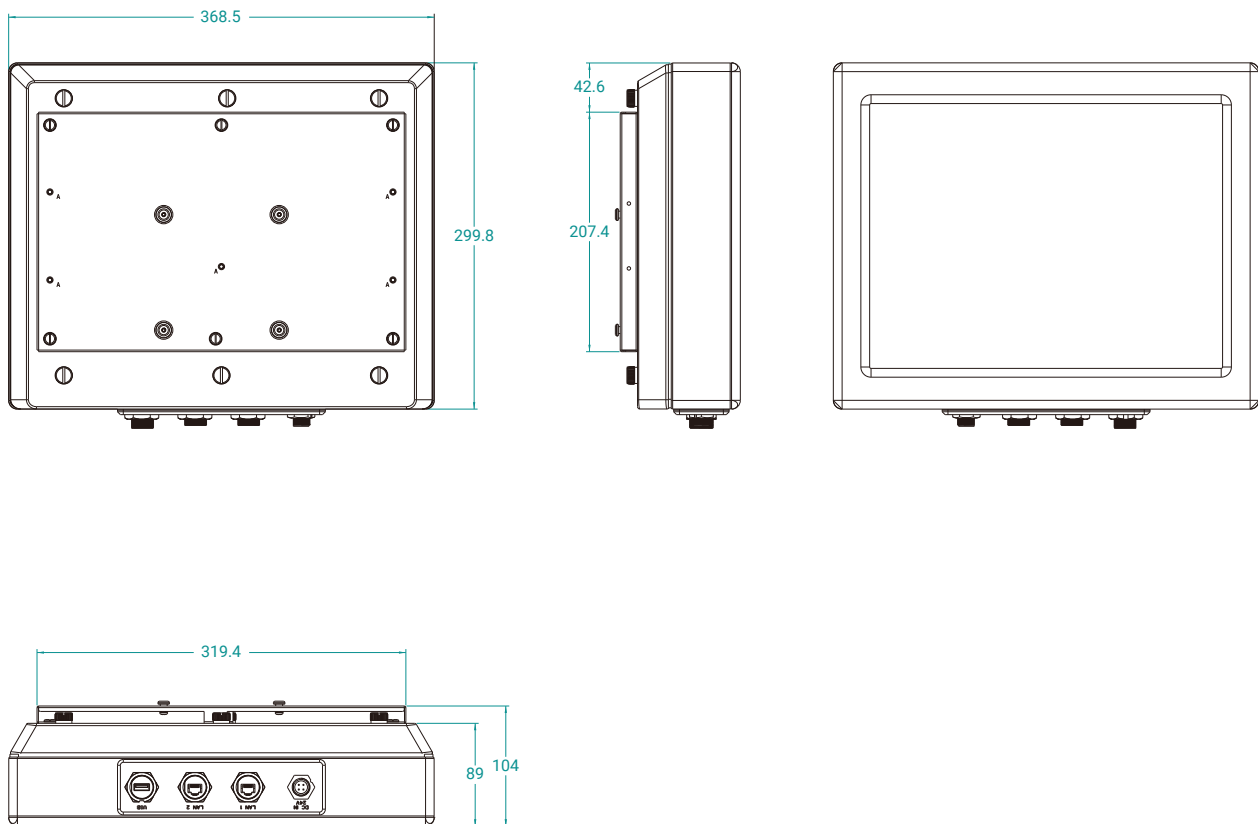
Specifications

Model Name	ARP-5515AX-E01-006-C1D2
LCD Display	
Display Size (Diagonal)	15.0 inch
Resolution	1024 x 768
Backlight Lifetime (Hours)	50,000
Visual Characteristics	
Colors	16.7 million
Aspect Ratio	4:3
Viewing Angle (V/H)	140° / 170°
Contrast Ratio	700 : 1
Brightness	300 nits (max)
Touchscreen	
Technology	5 Wire Resistive
Interface	USB X 2
Driver	ThinManager Supported Driver
Enclosure	
NEMA 4	N/A
NEMA 4x	Stainless Steel
System	
CPU	Intel Celeron J1900 @ 1.99GHz / Atom E3845 @ 1.91GHz CPU
Chipset	Bay Trail
Memory	4GB DDR3 SO-DIMM
Video Controller	Intel Gen7 Intel Graphics DX 11, OGL3.2
External Video Output	N/A
Storage Option	N/A
Compact Flash	N/A
Keyboard / Mouse	USB
Audio	N/A
Watchdog Timer	Programmable 1 - 255 sec
Remote Boot	ThinManager Ready, PXE
Expansion Slot	N/A
I/O Communication	
USB Port	2 x USB 2.0
Serial Port	N/A
IEEE 1394	N/A
LAN	1 x Gigabit
Parallel	N/A
GPIO	N/A
Smart Battery	
External Smart Battery	N/A
OS Support	
OS Support	N/A
Power/Thermal Specs	
Power Requirement (Max)	24VDC / 1.17A
Power Consumption (Max)	28 W
Recommended Power Supply	40 W
Heat Dissipation	96 BTU/hr
Physical Information	
Mounting	Pedestal, VESA, Wall and Ceiling mount, Benchtop
Net Weight	32 Lbs/ 14.52 kg
Dimension (W x H x D)	14.51 x 12.42 x 4.09 inch 368.6 x 315.5 x 103.9 mm
Recommended Cutout Dimension (WxH)	N/A
IP/NEMA Rating	Meets NEMA 4X
Certification	c UL Class I Division II
Environmental	
Operating Temperature	0~50°C (32~122°F)
Storage Temperature	-20~60°C (-4~140°F)
Relative Humidity	0~95%

Dimension Drawing

ARP-5515AX-E01-006-C1D2

Size Unit: mm



Ordering Information

Item	ARP-5515AX-E01-006-C1D2	ARP-5515AX-E01-P06-C1D2
LCD Display	15.0" LCD / 1024 x 768	15.0" LCD / 1024 x 768
Touch Screen	5-Wire	5-Wire
Enclosure	Stainless Steel	Stainless Steel
CPU	Intel Celeron J1900 @ 1.99GHz / Atom E3845 @ 1.91GHz CPU	Intel Celeron J1900 @ 1.99GHz / Atom E3845 @ 1.91GHz CPU
Memory	4GB DDR3	4GB DDR3
Storage	N/A	N/A
Remote Boot	ThinManager Ready	PXE
Power Supply	24VDC Input	24VDC Input
C1D2 Approval	YES	YES